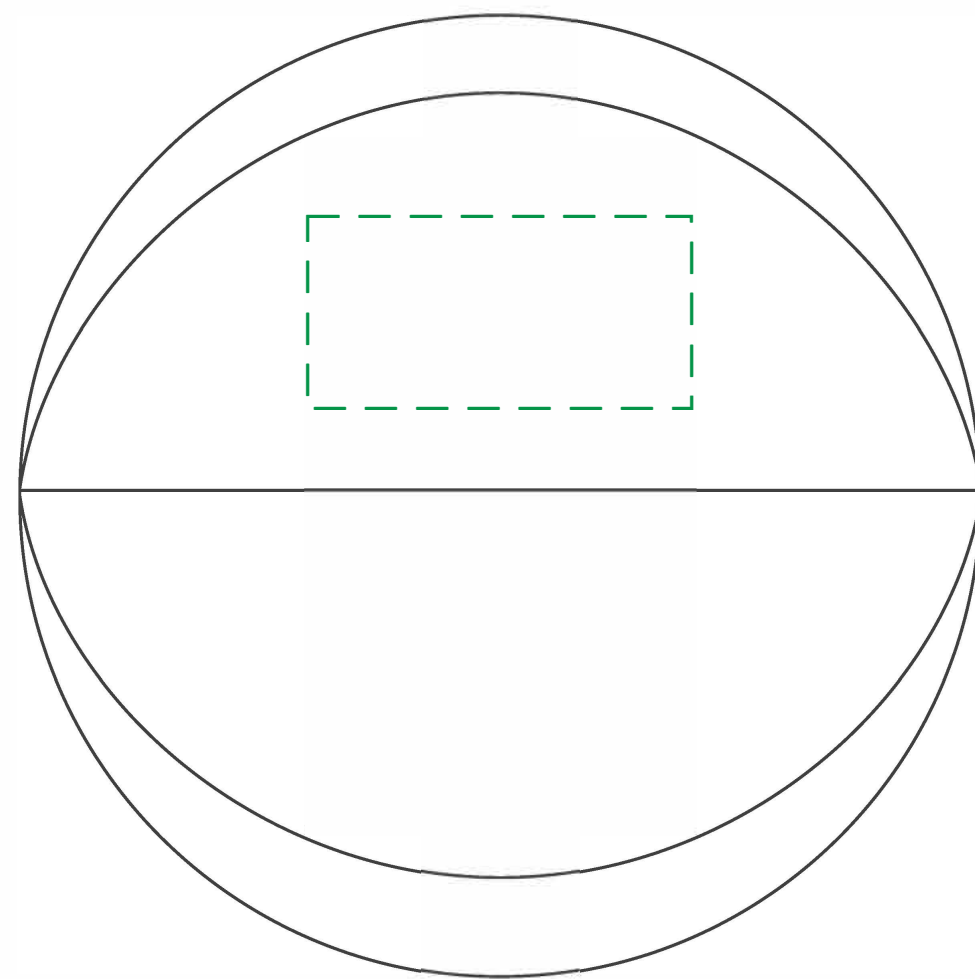


5" Mini Rubber Basketball - TGB52011SR

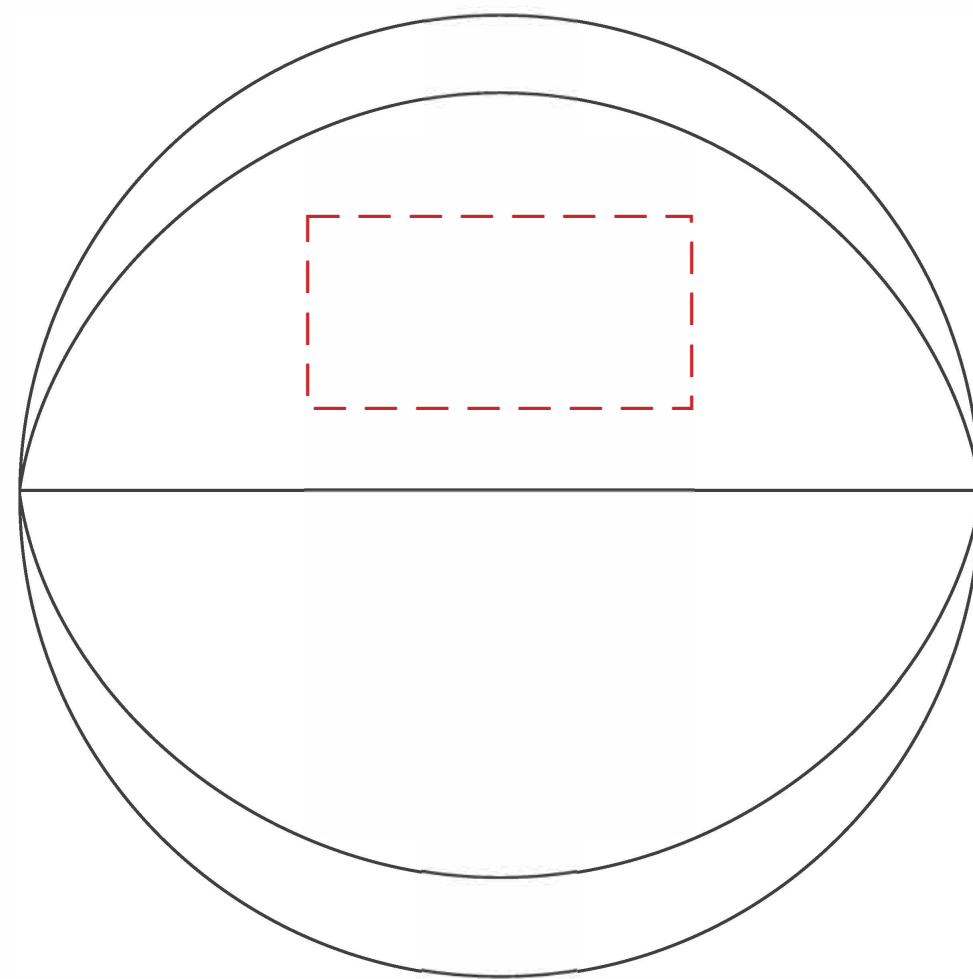
Imprint Method: Pad Print

- Product size = 5" in diameter
- - - - - Standard Side #1 = 2"W x 1"H
- - - - - Standard Side #2 = 2"W x 1"H

Side 1



Side 2



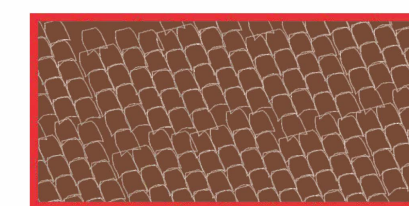
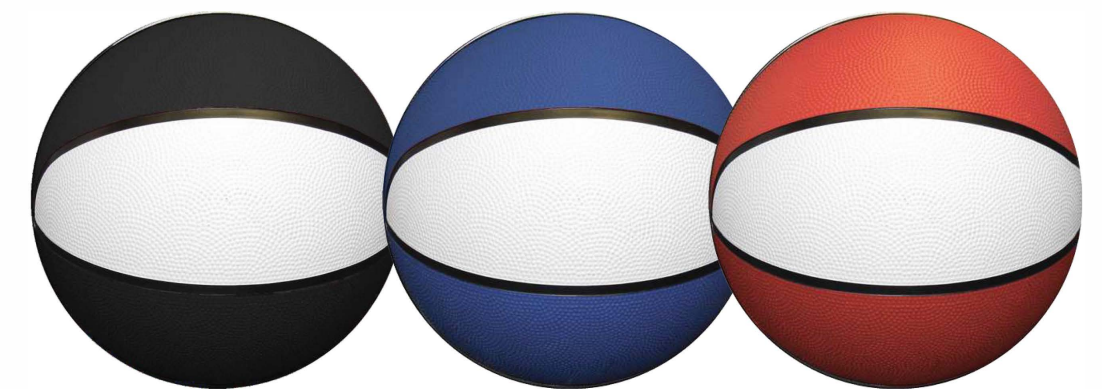
4 spot color max.

DUE TO OUR PRINTING PROCESS, EXACT REGISTRATION IS IMPOSSIBLE. PLEASE BE AWARE THAT THE SEPARATE COLORS MAY MOVE IN ANY DIRECTION OR ANGLE. NO TWO PRODUCTS WILL PRINT IDENTICALLY.

Actual Size



Reference virtual image for approximate size, placement and color. It is not intended to be an exact representation of final result.



Textures surface

Printing surface is textured with a raised pebble grain. Image WILL NOT print solid.